

- Integrated absolute encoder
- SSI interface, gray or binary coded
- Compact design & easy installation
- 5000 & 10000 mm measuring length
- Resolution 0.1, 0.05, 0.024 mm (other on request)



SFAM1 • SFAM2

ENVIRONMENTAL SPECIFICATIONS

| | |
|------------------------------|--|
| Shock: | 100 g, 6 ms |
| Vibrations: | 10 g, 5-2000 Hz |
| Protection: | IP65 |
| Operating temperature range: | -40°C +85°C (-40°F +185°F) |
| Storage temperature range: | -40°C +100°C (-40°F +212°F) (98% R.H. without condensation) |

MECHANICAL SPECIFICATIONS

| | |
|------------------------|---------------------------------------|
| Dimensions: | see drawing |
| Drum circumference: | 200 mm |
| Wire retraction force: | 5000: 3,2 ÷ 6,5 N 10000: 3,2 ÷ 6 N |
| Measuring length: | 5000, 10000 mm |
| Linearity: | ± 0,5 mm |
| Repeatability: | ± 0,1 mm |
| Measuring speed: | 2 m/sec max. |
| Weight: | ~ 0,8 kg |
| Connections: | M12, M23 plug or cable output 1 m |

ELECTRICAL SPECIFICATIONS

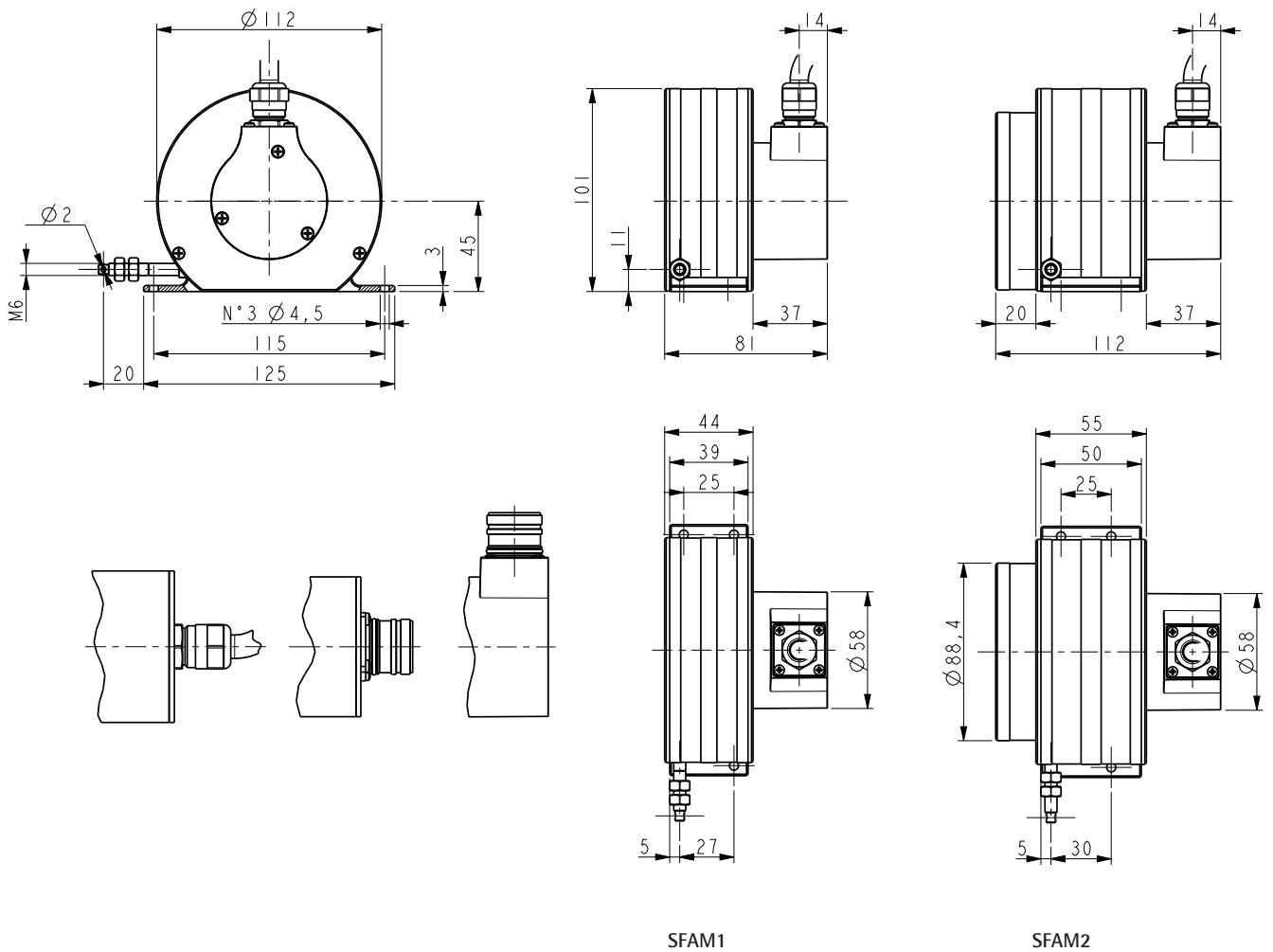
| | |
|-----------------|---|
| Power supply: | +7,5Vdc +34Vdc |
| Output circuit: | SSI, LSB aligned, gray or binary |
| Resolution: | 0.1, 0.05, 0.024 mm |
| Consumption: | 0,6 W |
| Protection: | against inversion of polarity and short-circuit |
| EMC: | electro-magnetic immunity, according to: EN 61000-4-2 EN 61000-4-4 |
| Functions: | <ul style="list-style-type: none"> • counting direction (input) • Zero setting/Preset (input) |

MATERIALS

| | |
|----------------------|---|
| Housing (draw-wire): | anticorodal, UNI EN AW-6082 |
| Housing (encoder): | die cast alluminium, UNI EN AC-46100 |
| Wire: | stainless steel, non magnetic - UNI EN 4305 |

ACCESSORIES

| | |
|----------------------|----------------------------------|
| EPFL121H: | M23 12 pin connector |
| EM12F8: | M12 8 pin mating connector |
| EC-CR12F-S28-T12-100 | cordset 10m, M23 connector |
| EC-CR12F-S28-T12-200 | cordset 20m, M23 connector |
| EC-M12F8-LK-M8-050: | cordset 5m, M12 8 pin connector |
| EC-M12F8-LK-M8-100: | cordset 10m, M12 8 pin connector |



Order code

| | | | | | | | | | | | |
|-------|---|-------|---|-----|---|-------|---|-----|---|------|-------|
| SFAM1 | - | XXXXX | - | XXX | - | XXXXX | - | X | - | XXXX | /Sxxx |
| SFAM2 | | (a) | | (b) | | (c) | | (d) | | (e) | (f) |

(a) MEASURING LENGTH

05000 = 5000 mm (SFAM1)
10000 = 10000 mm (SFAM2)

(b) OUTPUT CIRCUIT / POWER SUPPLY

BA2 = SSI, binary code, LSB aligned, +7,5Vdc +34Vdc
GA2 = SSI, gray code, LSB aligned, +7,5Vdc +34Vdc

(c) RESOLUTION

08192 = 0,024 mm
04000 = 0,05 mm
02000 = 0,1 mm

(d) CONNECTION POSITION

A = axial
R = radial

(e) CABLE TYPE & LENGTH

L010 = cable output 1 m
Lxx0 = cable output x m (max. length 10 m)
M1 = M12 12 pin plug
M2 = M23 12 pin plug

(f) CUSTOM VERSION

| Document release | Date | Description |
|------------------|----------------|----------------|
| 1.0 | September 2023 | New order code |